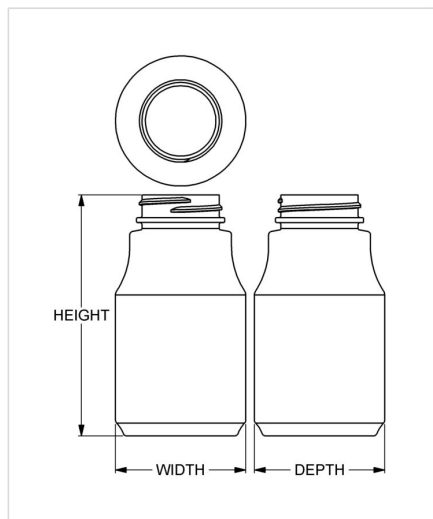


Item: 200 cc Apothecary Round
Family: Browse Round



Specifications

- | | |
|--------------------------------------|--|
| • Capacity 200 ml/cc / 6.8 oz | • Height 108.74 mm / 4.281 in |
| • Mold # 0585 | • Width 58.72 mm / 2.312 in |
| • Finish 38-400 | • Depth 58.72 mm / 2.312 in |
| • Finish Code I1 | • Overflow 224 ml/cc / 7.6 oz |
| • Weight 21.0 g / 0.74 oz | • Max. Bead Diameter 39.7 mm / 1.563 in |
| • Other Weights No | • Material Options PET |

Compatible closures & fitments



38 mm Continuous
Thread Ribbed Side
Smooth Top



38 mm THUMBLE-
EZY® Dispensing Top



38 mm Continuous
Thread Smooth Side
Smooth Top



38 mm SecuRx®
Ribbed Side Pictorial
Top CRC



38 mm SecuRx®
Ribbed Side Text Top
CRC



38 mm THUMBLE-
EZY® Dispensing Top
with Raised Ring



38 mm THUMBLE-
EZY® III Dispensing
Top



38 mm SecuRx® 15ml
Dosage Cap™ with
Ribbed Side Text Top