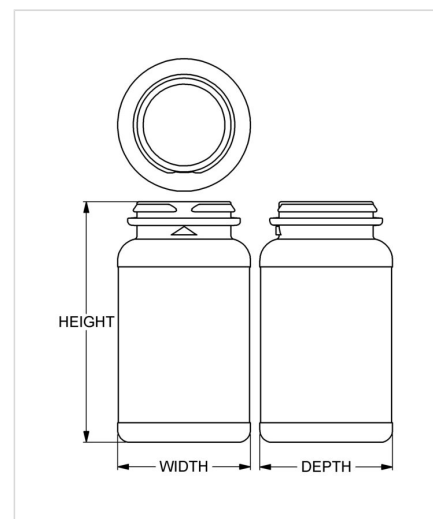


Item: 88 cc Bumpered Round
Family: Browse Round



Specifications

- | | |
|-------------------------------------|---|
| • Capacity 88 ml/cc / 3.0 oz | • Height 82.12 mm / 3.233 in |
| • Mold # 0336 | • Width 43.18 mm / 1.700 in |
| • Finish 33-400 | • Depth 43.18 mm / 1.700 in |
| • Finish Code H1 | • Overflow 93 ml/cc / 3.1 oz |
| • Weight 10.5 g / 0.37 oz | • Max. Bead Diameter 34.47 mm / 1.357 in |
| • Other Weights No | • Material Options HDPE |

Compatible closures & fitments



33 mm Continuous
Thread Ribbed Side
Smooth Top



33 mm Continuous
Thread Smooth Side
Smooth Top



33 mm SecuRx®
Ribbed Side Text Top
CRC



33 mm SecuRx®
Ribbed Side Pictorial
Top CRC



33 mm SecuRx®
SMAT Cap Text Top
CRC